

N300 Wireless Gigabit VoIP GPON Router

GP622GVR



Gigabit Port



VoIP



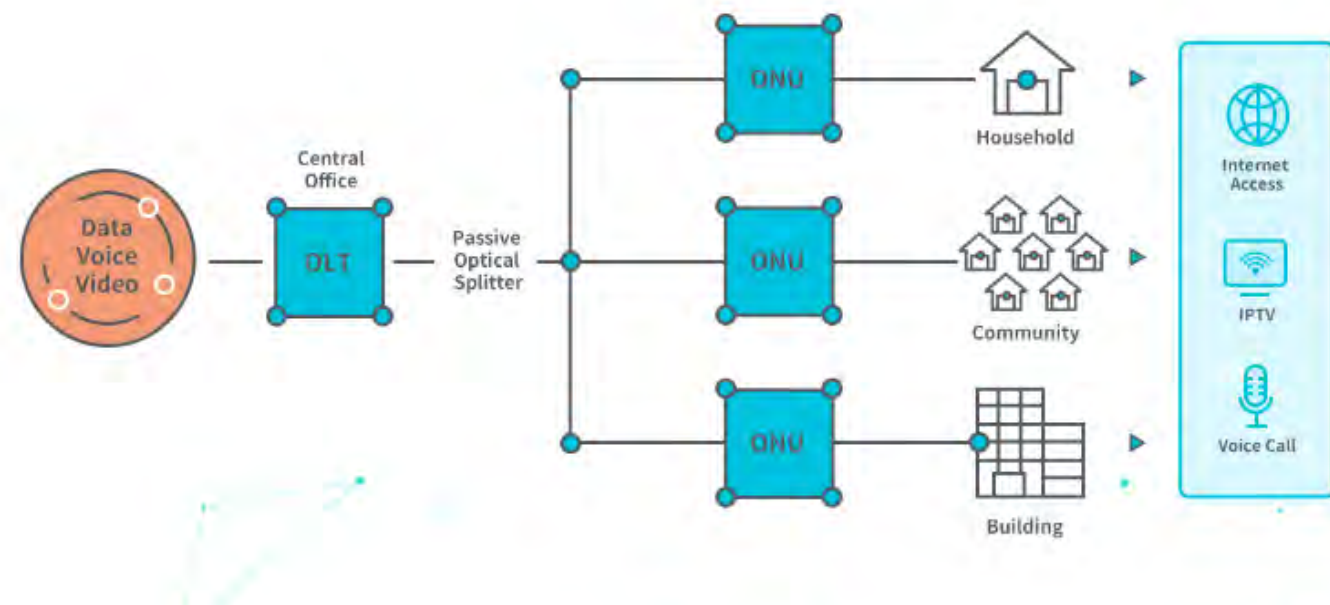
Parental Control



IPv6

Access to Fiber Optical Network

Support downstream 2.5Gbps and upstream to 1.25Gbps with transmission distance up to 20km. Higher bandwidth support makes it possible to integrate and provide more additional services with the same device.



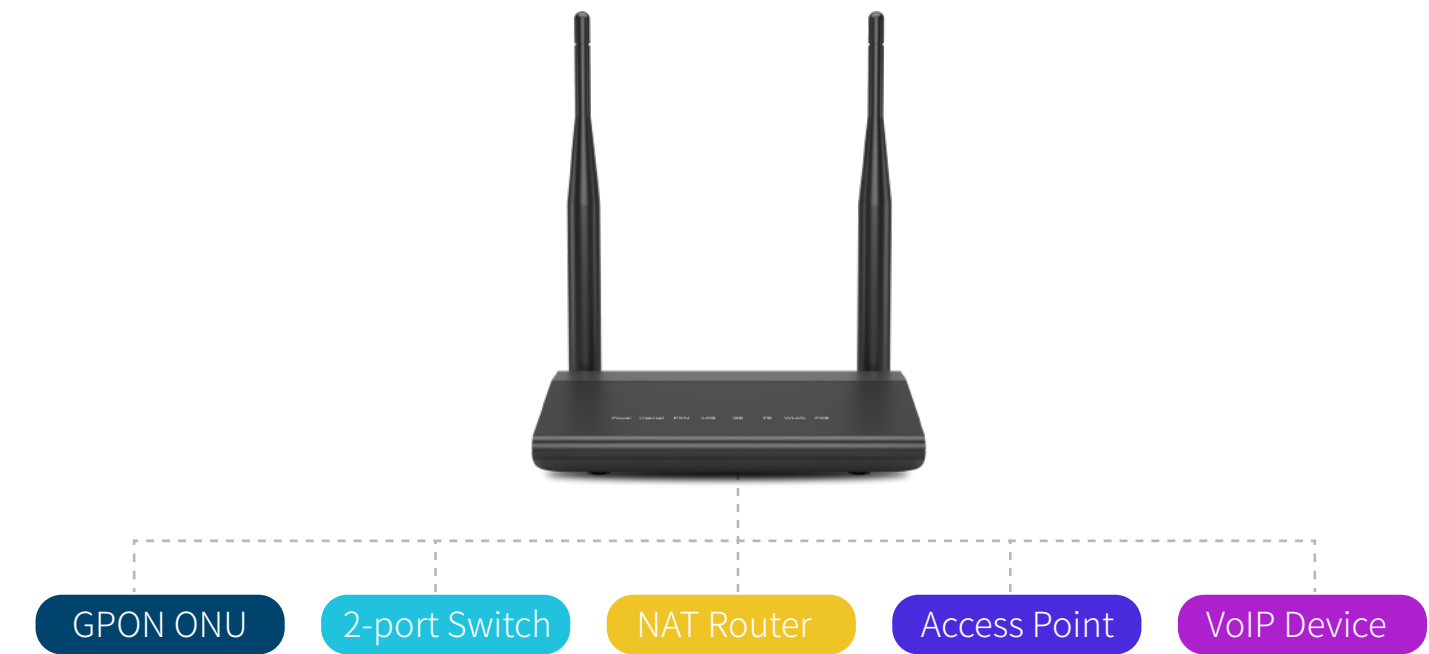
Easy Remote Management

GP622GVR support the ONT Management and Control Interface (OMCI), making it easy to configure, activate and manage remotely from an Optical Line Terminal(OLT).



All-in-one Device

GP622GVR is a one-stop solution that makes everything of your home connected. Based on 802.11n technology, GP622GVR supports wireless performance at up to 300Mbps, and delivers Broadband services such as IPTV and VoIP simultaneously.



300Mbps

300Mbps Wireless N

With transmission rates up to 300Mbps, users can run bandwidth intensive devices including VoIP, HD streaming, or online gaming, without the lag. Using its powerful N technologies, the router is also able to mitigate data loss over long distances and through obstacles.



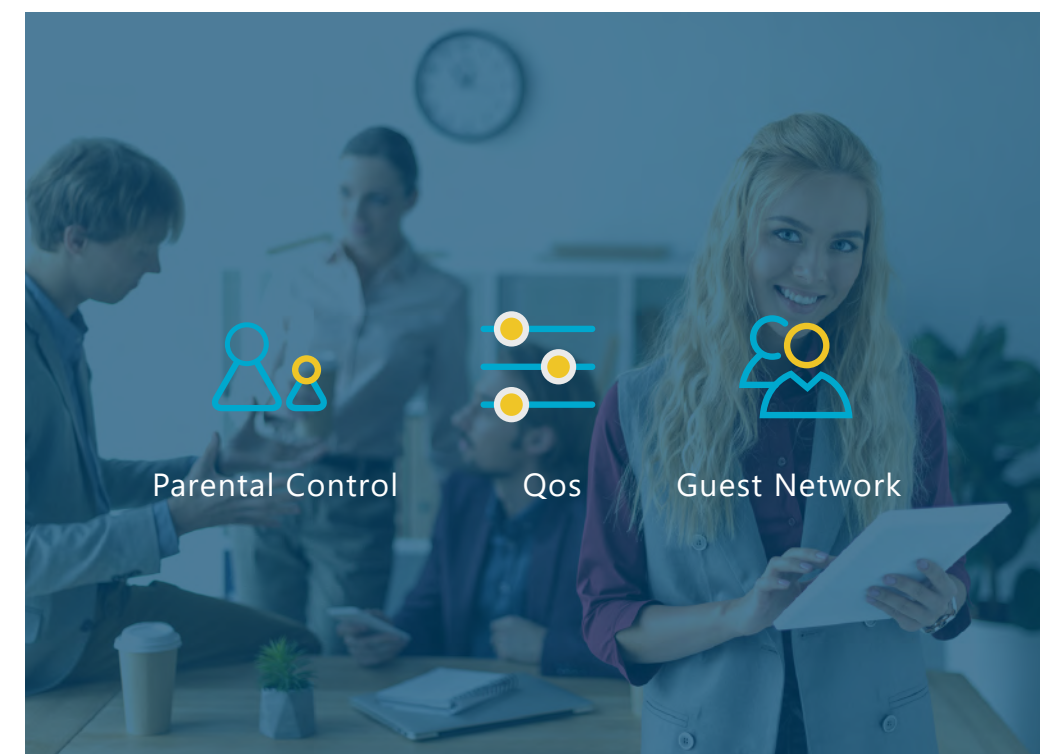
High Speed Gigabit Wired

With a gigabit LAN ports, speeds can be up to 10 faster than standard Ethernet connections. The GP622GVR can provide robust and extremely fast connections to all of your favorite wired devices, including game consoles, smart TVs, DVRs, and more.



Supports VoIP Calls

With a FXS ports, users can make or receive phone calls over the Internet simply by connecting the device to their existing telephone set.



Better networking experience without interference

The GP622GVR supports with various advanced features, including Parental Control, Guest Network and QoS, to guarantee fast, stable and secure online experience, freeing you from the disturbance of buffering and the threats of network attacks.

Specifications

Software Features

- WAN Type: Dynamic IP/Static IP/PPPoE
- DHCP: Server, Client, DHCP Client List, Address Reservation
- Quality of Service: WMM, Bandwidth Control
- Port Forwarding: Virtual Server, Port Triggering, UPnP, DMZ
- VPN: 802.1Q tag VLAN, VLAN transparent mode/VLAN translation mode/VLAN trunk mode
- Access Control: Parental Control, Local Management Control, Host List, Access Schedule, Rule Management
- Firewall Security:
 - DoS, SPI Firewall
 - IP Address Filter/MAC Address Filter/Domain Filter
 - IP and MAC Address Binding
- VOIP Features: One RJ-11 FXS ports for connecting to analog telephones
 - Call forwarding, Call waiting, Call block, 3-way conference call, etc.
- Management: Access Control, Local Management, Remote Management
- Internet Protocol: IPv4, IPv6

Environment

- Operating Temperature: 0°C~40°C (32°F~104°F)
- Storage Temperature: -40°C~70°C (-40°F~158°F)
- Relative Humidity: 10%~90%, non-condensing
- Storage Humidity: 5%~95%, non-condensing

Package Contents

- 1 x GPON Router
- 1 x Quick Installation Guide
- 1 x Power Adapter
- 1 x Ethernet Cable

Certifications

- CE, RoHS